



610836

ENGLISH

Table of contents

1. Safety 22
1.1 Safety instructions 22
1.2 Key to symbols 27
1.3 Proper use 28

2. General information 29
2.1 Liability and Warrantees 29
2.2 Copyright protection 29
2.3 Declaration of conformity 29

3. Transport, packaging and storage..... 30
3.1 Delivery check 30
3.2 Packaging..... 30
3.3 Storage..... 30

4. Technical data 31
4.2 Technical specification 31
4.1 Overview of parts 31

5. Installation and operation..... 33
5.1 Installation 33
5.3 Guidelines for cooking with the microwave oven 34
5.4 Suitable dishes for use in the microwave oven..... 34
5.4 Operation..... 35

6. Cleaning 38

7. Possible Malfunctions 39

8. Waste disposal 40

Bartscher GmbH
Franz-Kleine-Str. 28
D-33154 Salzkotten
Germany

phone: +49 (0) 5258 971-0
fax: +49 (0) 5258 971-120



Read this instruction manual before using and keep them available at all times!

This instruction manual contains information about the installation, operation and maintenance of the device and should be consulted as an important source of information and reference guide.

Awareness of the safety instructions and instructions for use in this manual will ensure the safe and correct use of the device.

In addition to the information given here, you should comply with any local Health and safety Controls and generally applicable safety regulations.

The instruction manual forms part of the product and should be kept near the device and easily accessible for anyone carrying out the installation, servicing, maintenance or cleaning.

Please keep these instructions and give them to future owners of the device.

1. Safety

This device is designed in accordance with the presently applicable technological standards. However, the device can pose a danger if handled improperly and inappropriately.

All persons using the device must follow the recommendations and instructions in this instruction manual.

1.1 Safety instructions

- The device can be used by children **8 years and up**, as well as by people with disabilities and those with limited experience/knowledge as long as they are under supervision or have been instructed on proper use of the device and its possible dangers.
- **Children** should not play with the device.
- Cleaning and **maintenance cannot be performed by children** younger than 8 years old and must be done under supervision.
- **Children under the age of 8 years old** must be kept away from the device and its power cord.
- **Never** leave the device unattended when in use.
- Only use the device indoors.

- This device may only be operated in technically proper and safe condition.
- Never use the device without the rotating tray nor without food products inside. The device may be damaged.
- Prevent access of children to the package materials like plastic bags and foamed polystyrene elements. **Suffocation hazard!**
- Only a qualified technician and using original spare parts and accessories should carry out repairs and maintenance of the device. **Do not attempt to repair the device yourself.**
- Do not use any accessory or spare parts that have not been recommended by the manufacturer. These can be dangerous for the user or lead to damages of the device or personal injury, and further, the warranty expires.
- To prevent hazards and to ensure optimum efficiency, no modifications or alterations to the device that are not explicitly approved by the manufacturer may be undertaken.



DANGER! Electric shock hazard!

To avoid the hazard results please follow the safety instructions below.

- Never allow the power cable to come into contact with heat sources or sharp edges. The power cable should not hang over the side of the working surface. Ensure that no one can step on or trip over the cable.
- The power cable must not be folded, bent or tangled, and must always remain fully unrolled. Never place the device or other objects on the power cable.
- Do not lay the power cable over carpets or other inflammable materials. Do not cover the cable. Keep away the cable from operating range and do not immerse it into water.
- Check the power cord regularly for damage. Do not use the appliance if the power cord is damaged. If this cable is damaged, it must be replaced by customer service or a qualified electrician in order to avoid dangers.

- The supply cable must be disconnected from the socket only by pulling the plug.
- Never carry or lift the device by the supply cable.
- In any case do not open the device housing. In case of electrical or mechanical modifications the **electric shock hazard** will occur.
- Never immerse the appliance, the power cord and the power plug in water or other liquids.
- Do not use any acid agents and make sure no water ingresses the device.
- **Never** operate the device with moist hands or standing on wet floor.
- Remove the plug from its socket:
 - when the device is not used,
 - in case of anomalies during operation,
 - before cleaning.



WARNING! Microwave radiation hazard!

Exposure to microwave radiation may cause bodily injury.

To avoid the effects of this risk, follow the safety instructions presented below.

- Do not turn the microwave oven on when the door is open, as an excess of damaging electromagnetic waves may be emitted by the device.
Never change the safety locks!
- It is extremely important to not damage the door and that it can be closed properly. Example of damage to the door which may be unsafe include the following:
 1. warping and indentations,
 2. cracked and/or properly secured hinges and screws,
 3. damaged door seals,
 4. cracked glass pane,
 5. damaged locking elements.
- The space between the door and the device must be free of foreign objects.

- Door seals must be tight and clean, as dirt and damage may allow electromagnetic waves to escape from the microwave oven. Take care to prevent buildup of any residues (e.g. cleaning agents, dust, grease, etc.).



WARNING! Burn hazard!

To avoid the effects of this risk, follow the safety instructions presented below.

- Do not fry any food products in the device. Hot oil can lead to skin burns and/or damage to the device.
- When in use, certain elements of the device are very hot. To avoid burns, do not touch the device!
- Food products prepared in the device are heated unevenly. Also, containers are usually hotter than the food products inside. Carefully **check the temperature** of food products, especially those prepared for children. **Risk of burns!**
- During the heating of liquids in the microwave oven it is possible that the liquid may reach boiling temperature without externally visible bubbling. For this reason, special care must be taken when handling the container. Even a light bump, e.g. when removing the liquid from the device, may lead to spillage. **Risk of burns!**
- For that reason avoid using tall, narrow containers with a thin neck.
- Place a spoon (only in exceptional cases use a metallic one) or glass stirrer in the beverage, then place the dish in the center of the rotating tray. Stir the liquid prior to heating and after half the heating time has elapsed. After heating: wait for a moment, carefully stir the liquid, then remove from the cooking chamber.
- **As food prepared in the microwave is heated unevenly, the contents of children's bottles must be mixed thoroughly - optimally by shaking – then, before giving the bottle to the child, check the temperature of the food. Risk of burns! Prior to heating food remove the bottle cap and nipple!**



WARNING! Fire or explosion hazard!

To avoid the effects of this risk, follow the safety instructions presented below.

- Never heat any flammable objects in the device.
- Do not prepare any food products which contain alcohol.
- Do not place any objects inside the device (cookbooks, sponges, etc.). Sudden activation of the device can cause damage to such objects, and even burn them.
- When heating or cooking food products in containers from flammable materials such as plastic or paper, remain near the device as there is a risk of the device overheating.
- If objects in the device catch fire, leave the door closed, turn the device off and remove the plug from its socket OR flip the main circuit breaker switch.
- Do not use metallic pots, pans or covers. Metal may lead to sparks in the cooking chamber. Use only dishes resistant to high temperatures, designed for use in microwave ovens (see sec. 5.3). **Risk of fire!**
- Do not prepare food products and beverages in closed or sealed containers. Such containers may crack inside the device or injure the user when being opened!
- Do not use the device for preparation of fresh or hard-boiled eggs, either in shell or peeled, as eggs may explode.
- Food products with thick skins, such as potatoes, pumpkins, apples or chestnuts, should be pierced prior to heating.
- Do not place solutions inside containing water, oil or grease, as such a mixture may explode.

1.2 Key to symbols

In this manual, symbols are used to highlight important safety instructions and any advice relating to the device. The instructions should be followed very carefully to avoid any risk of accident, personal injury or material damage.



WARNING!

This symbol highlights hazards which could lead to injury.



WARNING!

This symbol highlights dangerous situations which could lead to injury or death.



CAUTION!

This symbol highlights dangerous situations which could lead to light injuries, or damage, malfunction, and/or destruction of the device.



NOTE!

This symbol highlights recommendations and information aimed for effective and trouble-free device operation.

1.3 Proper use

The operational safety of the device is assured only in case of proper use, according to the operation manual.

All technical activities like installation and maintenance must be performed by the qualified service personnel only.

The device is intended for home use or in similar places such as:

- in kitchens for store or office employees or in similar business areas;
- in agricultural farms;
- by guests of hotels, motels and other typical places of accomodation;
- in Bed and Breakfast facilities.

The microwave oven is intended only for preparation, heating and defrosting of food products using appropriate dishes.

The microwave oven cannot be used for:

- industrial and laboratory purposes;
- storage of kitchen utensils and dishes;
- drying paper, textiles and other flammable materials;
- heating of fluids and/or flammable materials, substances damaging to health, and substances easily vaporizing and/or other similar materials.



CAUTION!

Any use going beyond the intended purpose and/or any different use of the device is forbidden and is not considered as conventional.

Any claims against the manufacturer or his authorized representative as a consequence of experiencing damages resulting from unconventional use are impossible.

The operator is liable for all damages resulting from inappropriate use.

2. General information

2.1 Liability and Warrantees

All the information and instructions in this manual take into account standard safety regulations, current levels of technical engineering as well as the expertise and experience we have developed over the years.

The instruction manual was translated with all due care and attention. However, we do not accept liability for any translation errors. The German version of this instruction manual is definitive.

If the delivery consists of a special model, the actual scope of delivery may differ from the descriptions and illustrations in this manual. This is also the case for special orders or when the device has been modified in line with new technology.



CAUTION!

Read this manual carefully and thoroughly before any operation of the device, and especially before turning it on!

Manufacturer **is not liable** for any damages or faults caused by:

- violation of advice concerning operation and cleaning;
- use other than designed;
- alterations made by user;
- use of inadequate spare parts.

We reserve the right to make technical changes for purposes of developing and improving the useful properties.

2.2 Copyright protection

The instruction manual including any texts, drawings, images or other illustrations is copyright. No part of this publication may be reproduced, transmitted or used in any form or by any means without permission in writing from the manufacturer. Any person who commits any unauthorized act in relation to this publication shall be liable to claims for damages. All rights reserved.



NOTE!

The contents, texts, drawings, pictures and any other illustrations are copyright and subject to other protection rights. Any person unlawfully using this publication is liable to criminal prosecution.

2.3 Declaration of conformity



The device complies with the current standards and directives of the EU. We certify this in the EC declaration of conformity. If required we will be glad to send you the according declaration of conformity.

3. Transport, packaging and storage

3.1 Delivery check

Please check the delivery upon completeness and transport damage immediately after receipt. In case of visible damage do not accept or accept the delivery with reservation only.

Note the extent of damage on the carrier's bill of delivery. Trigger off the complaint.

Hidden damages should be reclaimed immediately after notice, as claims for damages can only be asserted within the effective period for complaints.

3.2 Packaging

Please do not throw away the covering carton of your device as it might be useful for storage purposes, when moving or, in case of damages, when the device must be sent back to a repair center. The outer and inner packing material should be removed completely from the device before installation.



NOTE!

If you liked to dispose the packing, consider the regulations applicable in your country. Supply re-usable packing materials to the recycling.

Please inspect the device upon completeness. In case any part is missing please contact our customer service center immediately.

3.3 Storage

Keep the package closed until installation and under consideration of the outside indicated positioning- and storage markings.

Packages should be stored under consideration of the following:

- Do not store outdoors.
- Keep it dry and dust-free.
- Do not expose it to aggressive media.
- Do not expose it to direct sunlight.
- Avoid mechanical shocks and vibration.
- In case of longer storage (> 3 months) make sure you check the state of the packaging and the parts regularly.
If required refresh or renew.

4. Technical data

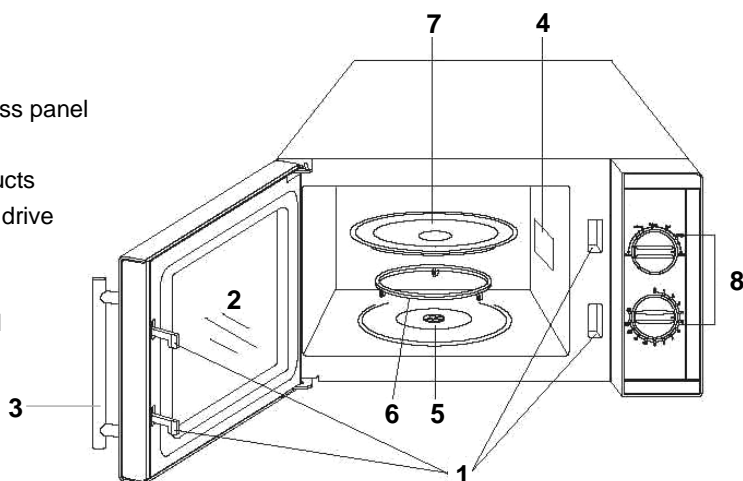
4.2 Technical specification

Name	Microwave oven
Code-no.:	610836
Construction of casing and interior:	stainless steel
Microwave power output:	900 W
Power:	1,4 kW / 230 V
Power levels:	6
Manual times:	up to 30 minutes
Dimensions:	int.: W 315 x D 290 x H 200 mm ext.: W 483 x D 425 x H 281 mm Rotating tray: Ø 270 mm
Volume:	23 litres
Weight:	12.6 kg

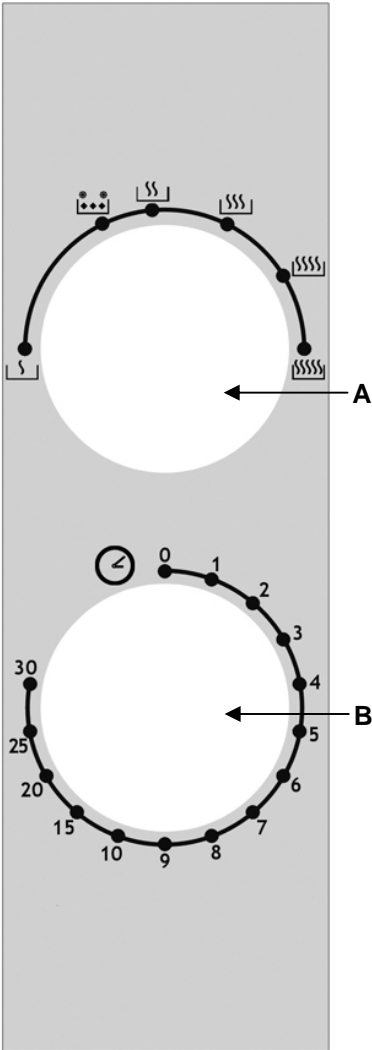
We reserve the right to make technical changes!

4.1 Overview of parts

1. Safety lock
2. Door with glass panel
3. Handle
4. Ventilation ducts
5. Rotating tray drive
6. Rotating ring
7. Rotating tray
8. Control panel



Control panel



A - Power regulator

6 power levels

	High	100 % power
	Medium-high	85 % power
	Medium	66 % power
	Medium-low	48 % power
	Defrost	40 % power
	Low	17 % power

B - manual timer (0 – 30 min.)

5. Installation and operation

5.1 Installation

Positioning

- Unpack the device and remove the packing material.



CAUTION!

- **Never** remove the nameplate and warning signs from the device.
- Place the device on a flat, stable surface which can support the weight of a microwave oven, as well as heavy dishes and food products.
- Do not place the device near flammable materials avoid high temperatures, moisture and high humidity.
- **Never** place the device on a flammable surface.
- To ensure proper functioning, the device must have sufficient ventilation. For this reason, it is necessary to maintain the following **safe distances**:
 - **above the device: 20 cm**
 - **at rear of device: 10 cm**
 - **at sides of device: 5 cm.**
- Never block the ventilation ducts!
- The device must remain a **minimum distance of 2 m** from radios, televisions, and other such electronics in order to avoid interference with the signal reception.
- Place the device so that the plug is easily accessible so as to quickly disconnect the device if the need arises.

Connection



DANGER! Electric shock hazard!

The device can cause injuries due to improper installation!

Before installation and connecting the local power grid specification should be compared with that of the device (see rating plate). Connect the device only in case of compliance!

Connect the device only to properly installed single socket with protective terminal.

- The electrical circuit in the socket must be secured to at least 16A. Only connect the device directly to the wall socket; do not use any extension cords or power strips.

5.3 Guidelines for cooking with the microwave oven

Instead of traditional heat sources, a microwave oven applies an electron lamp which emits electromagnetic waves. These waves, like radio waves, are invisible but their effects can be observed. Such waves can pass through materials such as glass, porcelain, artificial materials and paper. As these materials do not contain water, grease or oil, they are not heated by the microwaves. Simply put, the microwaves directly reach the food product, causing molecules of water, grease and oil to vibrate; friction results in the creation of heat which is used for defrosting, heating or cooking. During cooking with microwaves, heat remains inside the product being prepared, in opposition to the processes of boiling or grilling in which heat enters the food from the outside. If the device is not damaged, energy created by the microwaves remains inside the device and does not pose a threat to the user.

- Carefully place food products to be cooked inside the microwave oven, with larger pieces at the outer edges.
- Remember the cooking time. It is best to at first set the shortest possible time and then lengthen cooking time as necessary. Excessive cooking time may cause the food product to smoke or catch fire.
- Cover food products during cooking. This will ensure even cooking and prevent splattering.
- Turn food products over while cooking. This will speed up the process of cooking such products as chicken or hamburgers. Large products, such as a roast, should be turned over at least once.
- Such dishes as dumplings should, after half of the cooking time has elapsed, be turned over, moved from the top to bottom, moved from the outside to the inside, etc.

5.4 Suitable dishes for use in the microwave oven

1. Check that a dish is suitable to be used in a microwave oven.

Test: place the empty dish together with a glass of water (never activate the device when empty or with only an empty container inside), then heat at the highest power level for 60 seconds. An appropriate dish will be lukewarm. If the dish is hot, it is not appropriate for use in the microwave oven.

2. Proper materials for dishes for the microwave oven allow microwaves to pass through. Energy goes through the container and heats the food product.
3. Do not use metallic containers or containers containing metallic parts (e.g. gold strips around the edge of a plate). Microwaves do not pass through metal.
4. Do not use products from recycled materials, as they may contain small pieces of metal. If such containers are used, sparks and even fire may result.
5. Dishes of oval and round shapes should be used, as food products cook more quickly in the corners of square-shaped containers.
6. Wide, flat containers are best suited to use in the microwave oven as compared to narrow and tall ones. Food products cook evenly in flat dishes.

7. To avoid food from baking onto the edge of dishes, you may cover the edges with thin strips of aluminum foil. Do not use too much aluminum foil, and leave a minimum distance of 2.5 to 3.0 cm between the foil and walls of the microwave oven's cooking chamber.

Dishes/containers for cooking	Suitable for microwave oven
Tempered baking glass, ceramics, porcelain	yes
Glass, ceramic, porcelain not resistant to high temperatures	no
Tempered ceramic glass	yes
Plastic dishes suitable for use in microwave ovens	yes
Metal dishes, dishes with metallic elements (e.g. gold lining)	no
Aluminum foil & foil containers	no

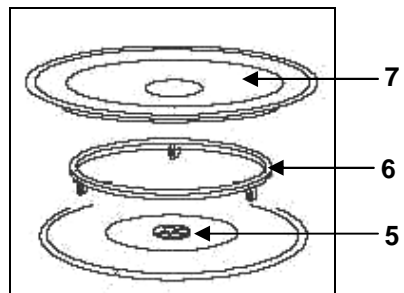
5.4 Operation

Washing prior to first use

- Prior to first use it is necessary to wash the device, so that remnants of packing materials do not impact the taste of food products.
- Empty the cooking chamber.
- Wash the interior and exterior of the device with a soft, moist cloth and dry thoroughly.
- Leave the door open so that the cooking chamber can dry out thoroughly.
- Place the rotating ring and tray in a dishwasher or clean with water and a washing-up liquid.

Assembling the rotating tray

- Place the rotating tray elements (6) into the depression at the bottom of the cooking chamber.
- Place the rotating tray with the grooved side (7) at the bottom, on the bottom of the cooking chamber, and turn until the plate locks into the tray drive (5).



Heating and cooking

1. Prior to turning the microwave oven on, check that the rotating tray (7) and rotating ring (6) are properly installed. The cooking chamber must be clean; the rotating ring (6) must be located in the depression; the rotating tray (7) must be secured to the tray drive (5).
2. Place the dish with food product on the rotating tray (7). Nothing should extend beyond the edge of the rotating tray (7). **Do not** heat / cook food products placed directly on the rotating tray. In the event of heating / cooking larger quantities of food cut into pieces, ensure they are evenly distributed throughout the dish used for cooking and that they do not touch one another.



CAUTION!

Never activate the device without the rotating tray and a container for food products, nor without food products!

3. Close the door and check that the seals are clean and door is closed properly.
4. Set the desired power level and cooking time (1 - 30).



NOTE!

The device comes on when the cooking time is set!

Cooking time depends on the following characteristics of the food product:

Initial temperature:	the lower the initial temperature, the longer the cooking time
Thickness:	the thicker the food product, the longer the cooking time
Moisture:	the drier the food product, the longer the cooking time
Form:	the more compact the food product, the longer the cooking time
Weight:	the heavier the food product, the longer the cooking time

5. The cooking chamber is lit, and the rotating tray rotates. Ensure the rotating tray has a free range of movement.
6. To suspend the device's operation, open the door.
7. If the food product is removed from the oven before the cooking time has expired or if the device is turned off, always set the manual timer to "0".
8. After the set time has expired an alarm will sound.
9. Open the door and remove the food product.



WARNING! Danger of burns!


Dishes used for cooking may be very hot, as heat is emitted from the food product. Use protective gloves or a towel when removing dishes.



CAUTION!

If the device is set to a high power level, keep it under constant observation! In the event of strange noises, food products swelling, or liquids churning, reduce the power level!

Defrosting

- The function labeled  (**DEFROST**) allows the easy defrosting of frozen food products. Energy created by the microwaves heats the external layer of the product, and the heat slowly seeps into the interior of the product. This ensures even defrosting of the food product.
- Prior to defrosting, remove the packaging from the product and place the product on a plate.
- **While defrosting** proceed in accordance with **the following instruction:**

➤ **Covering**

Food products should be covered, in order to:

- quicken their heating,
- avoid drying out,
- avoid splattering of grease in the cooking chamber,

Exceptions: bread, baked goods, breaded food products and products which are supposed to be crunchy should not be covered.

➤ **Turning over / mixing**

Practically all food products should be turned over and/or mixed at least once during defrosting. Sticky pieces of food should be separated as quickly as is possible.

➤ **Smaller portions**

Smaller portions defrost more evenly and quicker than larger ones. For this reason, divide food products into smaller pieces prior to defrosting. An entire meal can thus be quickly and easily prepared.

➤ *Delicate foods*

Delicate foods such as pate / cakes, cream, cheese or bread should be only partially defrosted, and the defrosting process should be finished at room temperature. In this manner you will avoid a situation where the food is too hot on the outside while still frozen on the inside.

➤ *Leaving dishes out*

The time for leaving dishes out following defrosting is very important, as it guarantees continuation of the defrosting process. After defrosting, the defrosted food product should be cooked as soon as possible. Do not re-freeze defrosted food products.

6. Cleaning



WARNING!

Disconnect the device from the power supply (unplug!) before cleaning. Let the device cool down.

The device is not designed to be rinsed with running water.

Do not use a pressure washer to clean the device!

Be careful and do not let the water into the device.

- Wash the device regularly.
- After each use, wipe the device with a moist cloth. Remove any remnants of food and beverages from the interior of the device with a moist cloth. A delicate cleaning agent may be used in case of more stubborn dirt.
- Avoid using sprays and other aggressive cleaning agents, as such chemicals may leave stains on the device and even damage its surface.
- Wash the exterior surface of the device with a moist cloth. To protect the parts located inside the device from damage, do not allow water to seep through the ventilation ducts into the interior of the device.
- To remove dirt, wash the door, door seals and attached elements with a moist cloth. Do not use harsh cleaning agents.
- Do not get the control panel overly wet. Wash it with a moist, soft cloth. Do not close the door while washing the device, to avoid accidentally turning it on.
- Wash the rotating ring and rotating tray regularly by using a small amount of washing-up liquid or by placing them in a dishwasher.

- If condensation forms on the inside or outside of the door, remove it with a soft cloth. Condensation forms when the device is operated in conditions of high humidity. This is a normal occurrence.
- Unpleasant odours can be removed from the device by placing a glass of water with lemon juice and lemon peel, then heating for approx. 5 minutes. Afterwards, wipe the device thoroughly with a soft, dry cloth.
- When washing use only soft cloths, **never** scouring pads which may damage the surface of the device.
- After washing the device, wipe its surface dry and polish with a soft, dry cloth.

Storing the device

- If the device is not used for a longer time, clean the device according to the above mentioned instructions and store it in a dry, clean place protected against frost, sun and children. Do not place any heavy objects on the device.

7. Possible Malfunctions

If the microwave oven fails to function:

1. Check that it has been properly plugged in. Remove the plug from its socket and wait approx. 10 seconds, then reinsert it into the socket.
2. Check that a circuit breaker or the main circuit has not been disconnected. If they are functioning properly, check the connection using other electronic appliances.
3. Check that the door is closed properly (safety lock). If it is not, to ensure safety microwaves will not be formed inside the cooking chamber.

In the event you are able to exclude the above-mentioned explanations, please contact qualified technical support personnel or a service center to examine and repair the device.

8. Waste disposal

Discarding old devices

At the end of its service life the discarded device has to be disposed in accordance with the national regulations. It is advisable to contact a company which is specialized in waste disposal, or just contact the local disposal service in your community.



WARNING!

To exclude any abuse and the dangers involved make the waste device unfit for use before disposal. For that purpose disconnect device from mains supply and remove mains connection cable from the device.



CAUTION!



For the disposal of the device please consider and act according to the national and local rules and regulations.

Bartscher GmbH
Franz-Kleine-Str. 28
D-33154 Salzkotten
Germany

phone: +49 (0) 5258 971-0
fax: +49 (0) 5258 971-120